

E2710 Top unloading arm with heating lance for rail cars



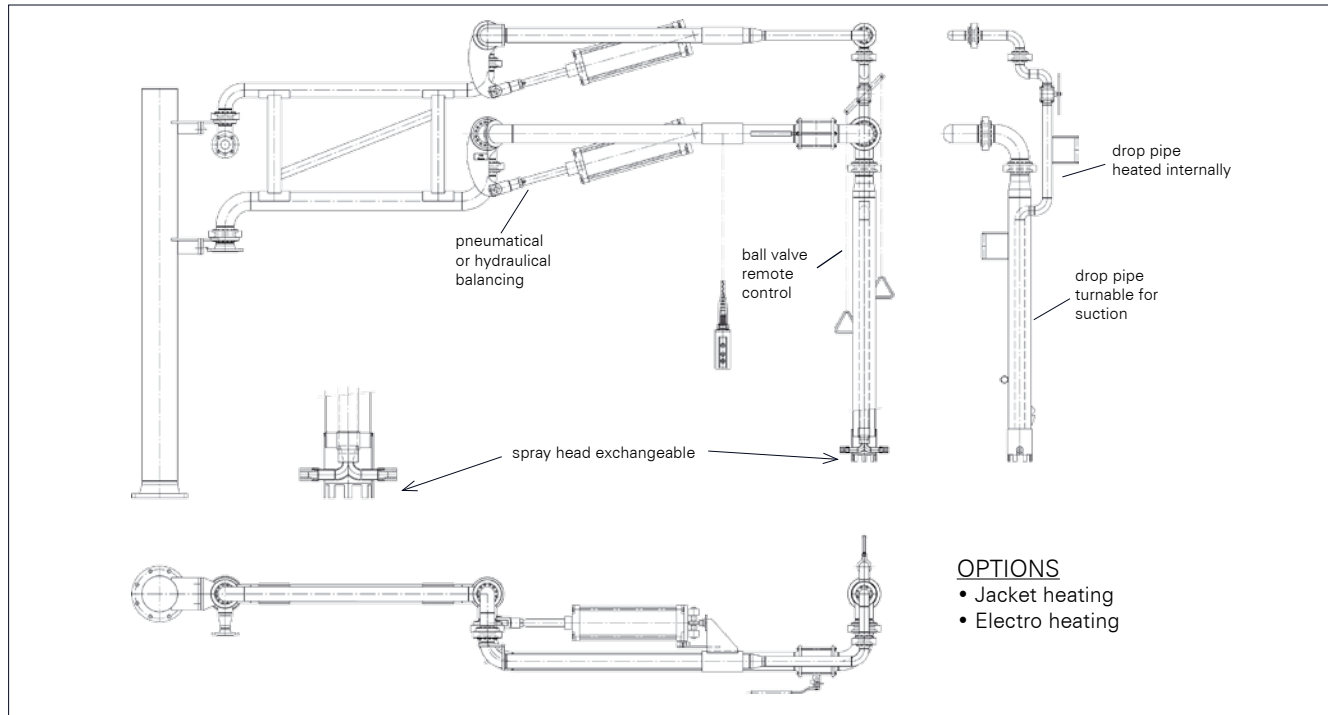
This type of loading arm is especially designed to heat up and unload **„frozen“ products**. It is suitable for the top loading of Rail tankers.

Because of the robust and high quality design of the swivel joints and the precise loading arm balancing, the handling of the loading arm is very convenient.

- petroleum application
- reliable
- safe
- easy handling
- long life
- low maintenance
- various material
- EMCO-high performance swivel joints

E2710

Dimensions and technical data



Technical data

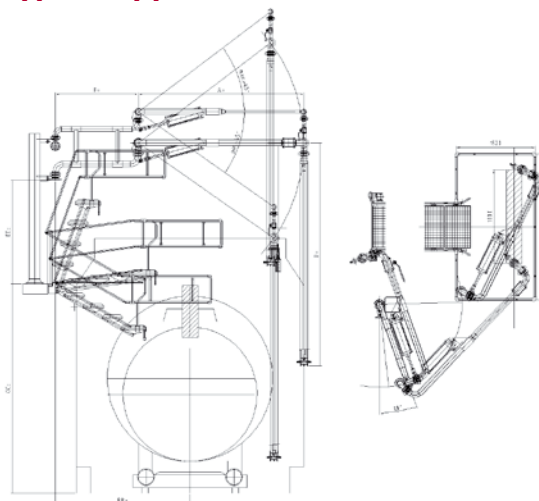
DN		Seals	Temperature range	Accessories
suction tube	heating tube			
100	50/80	FVMQ, PTFE, special materials	<ul style="list-style-type: none"> • high temperature from -40 °C up to 200 °C 	<ul style="list-style-type: none"> • cover plate • support bracket

Alternative dimensions and materials on request

By unloading through the nozzles at the end of the drop pipe hot product will be sprayed into the vessel. Thereby the „frozen“ product in the vessel will be warmed up and can be sucked off through the product pipe. The drop pipe is turnable so that the whole vessel can be reached with hot product.

It is possible to fasten a movable holding bar (covering plate) for a level controller. The up and down movement of the A-length is provided by a pneumatic or hydraulic cylinder.

Typical application:



EMCO WHEATON carbon steel swivel joint with flame hardened ball race way for a long life time!

For more details see our data sheet swivel joint D2000.

Fluid Transfer Division

EMCO WHEATON

A Gardner Denver Product

Whilst the content of this leaflet has been edited with the greatest care, we are not liable for any errors and/or omissions. Subject to change without notice.

EMCO WHEATON GmbH
 Emcostraße 2-4 · 35274 Kirchhain · Germany
 Phone +49 6422 84-0 · Fax +49 6422 5100
 www.emcowheaton.com · info-de@emcowheaton.com