

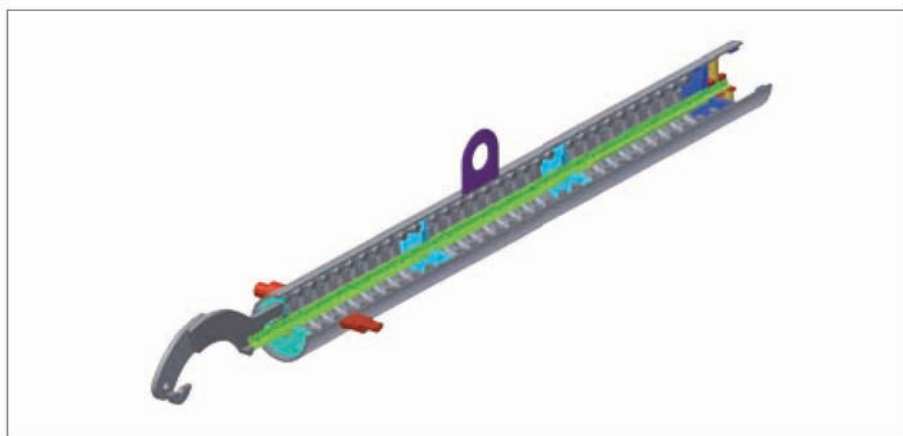
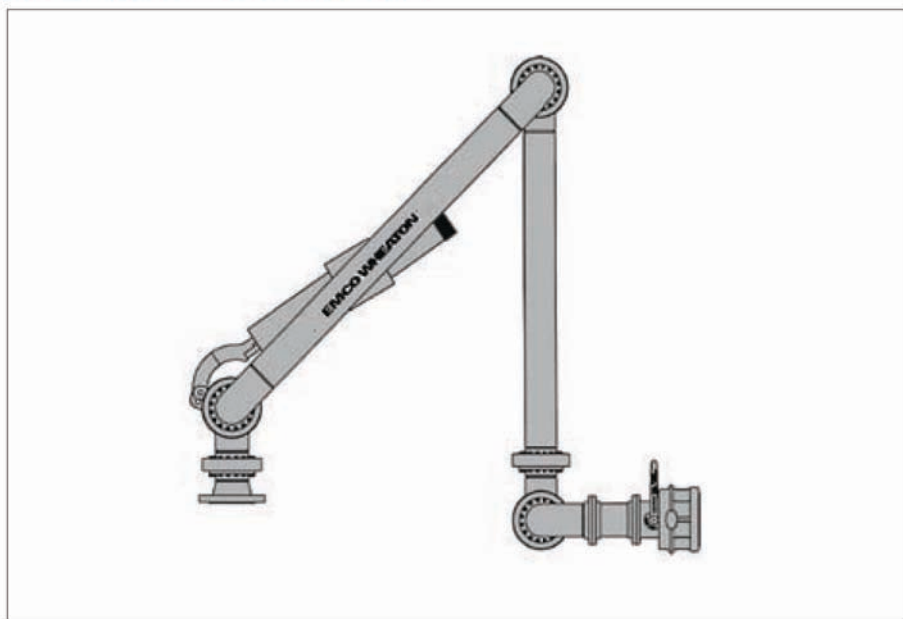
SPRING CYLINDER BALANCE FOR TOP AND BOTTOM LOADING ARMS



- ☞ Models with over 30,000 in/lbs of lifting capacity!
- ☞ Super smooth, lightweight operation through a full 95° range of movement
- ☞ Easy to adjust with standard hand tools, with the arm in any position, unsupported
- ☞ Spring cylinder is bolted to the arm for quick removal
- ☞ The shaft is Stainless steel and the welded steel housing encloses a minimum of two compression springs for safety
- ☞ The spring cylinder is not welded to the arm, which allows it to be replaced in the field if necessary

Spring cylinder balance

Dimensions and technical data



Cylinder is mounted above or to the side of the primary giving full access around the base and the rear of the loading arm

Better by
DESIGN

Whilst the content of this leaflet has been edited with the greatest care, we are not liable for any errors and/or omissions. Subject to change without notice.

ILTA
SUPPLIER

MEMBER
PEI
PNEUMATIC EQUIPMENT

EMCO WHEATON

A Gardner Denver Product

EMCO WHEATON USA INC
9111 Jackrabbit Road · Houston, Texas 77095 · USA
Phone +1 281 856-1300 · Fax +1 281 856-1325
www.emcowheaton.com · sales-us@emcowheaton.com