

## World Top Loader – WE2804 “fixed reach version”



**The „World-Series“ Loading Arms have been especially designed for the International Petroleum Industry requirements.**

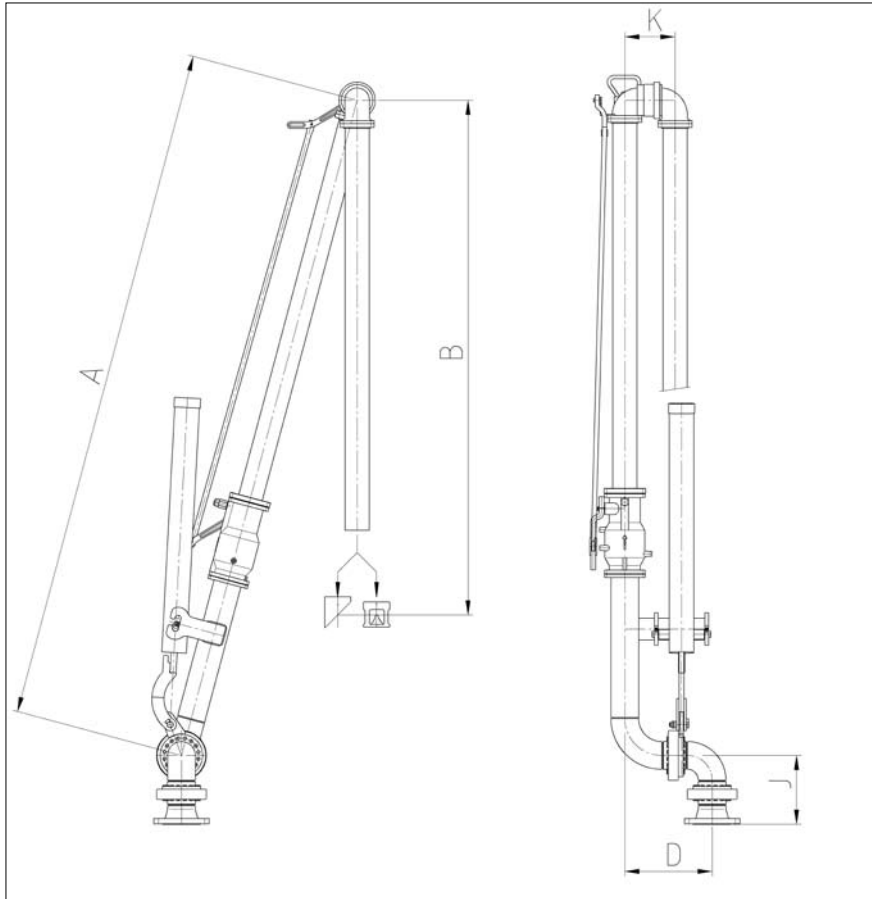
This type of loading arm is designed for the top loading of road or rail tankers using the manhole. It is suitable for applications where the manhole can be accurately positioned.

Because of the robust and high quality design of the swivel joints and the precise loading arm balancing, handling of the loading arm is very convenient.

- reliable
- easy handling
- low maintenance
- cost effective
- protecting the environment
- safest balancing system
- EMCO-high performance swivel joints

WE2804

**Dimensions and technical data**



**Dimensions**

	DN 80	DN 100
A*	2400	2700
B*	1200	1200
D	295	361
K	191	207
J DIN PN 16	230	260
J ANSI 150 lbs	250	284

\* Standard dimensions  
Alternative dimensions available on request.

**Material of product carrying parts / technical data**

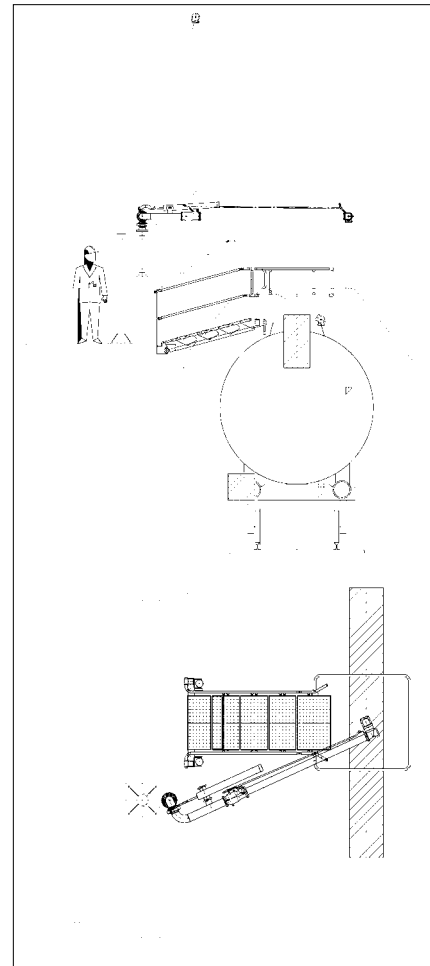
Inlet flange up to valve	carbon steel
Valve	aluminium
“A”-tube to outlet	aluminium
Seals	Viton, Perbunan
Design pressure:	16 bar up to shut off valve
Design temperature	-10 °C to +80 °C



EMCO WHEATON carbon steel swivel joint with flame hardened ball race way for a long life time!

For more details see our data sheet swivel joint D2000.

**Envelope drawing**



**Fluid Transfer Division**

**EMCO WHEATON**

*A Gardner Denver Product*

Whilst the content of this leaflet has been edited with the greatest care, we are not liable for any errors and/or omissions. Subject to change without notice.

EMCO WHEATON GmbH  
Emcostraße 2-4 · 35274 Kirchhain · Germany  
Phone +49 6422 84-0 · Fax +49 6422 5100  
www.emcowheaton.com · info-de@emcowheaton.com