

# Vapor Recovery Adaptor

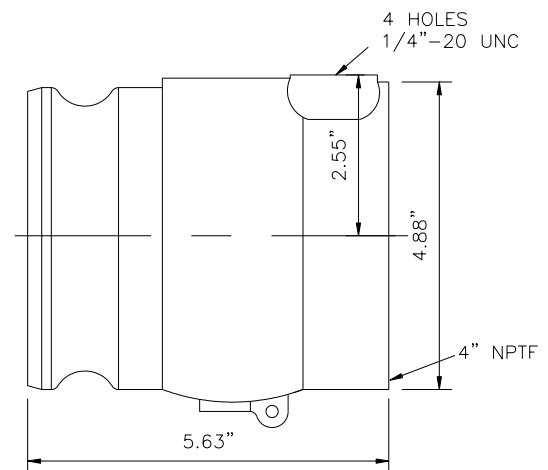
### FEATURES AND BENEFITS

Innovative design reduces pressure drop and improves delivery performance. Sight glass provides driver with visual indication of product presence before removal of dust cap for safer operation.

- **Hydrodynamic** design for multiple compartment loading at higher load rates, reduces pressure drop and improves delivery performance
- **Sight glass** visually alerts driver of liquid presence
- **Die cast** aluminum body for better dimensional stability and an improved finish
- **Stainless steel** internals improve chemical resistance over plastic poppet designs
- **4 Hole mounting** for air interlock, reduces need for larger button
- **User-friendly poppet design** prevents unnecessary gasoline spills and pressure build up in lines
- **Provides economical compliance** to EPA regulations.
- **Eliminates possible vapor loss** from backpressure of vapor
- **4" FNPT x 4" cam & groove**
- **Light die cast** aluminum body



### OVERALL DIMENSIONS



### VARIANTS

PART NO.	DESCRIPTION	WEIGHT
724010201	With Sightglass & Poppet	2.50 lbs
724010202	With Sightglass Without Poppet	2.00 lbs

As a part of a continuous commitment to product development the company reserves the right to alter the specification of its products without prior notice