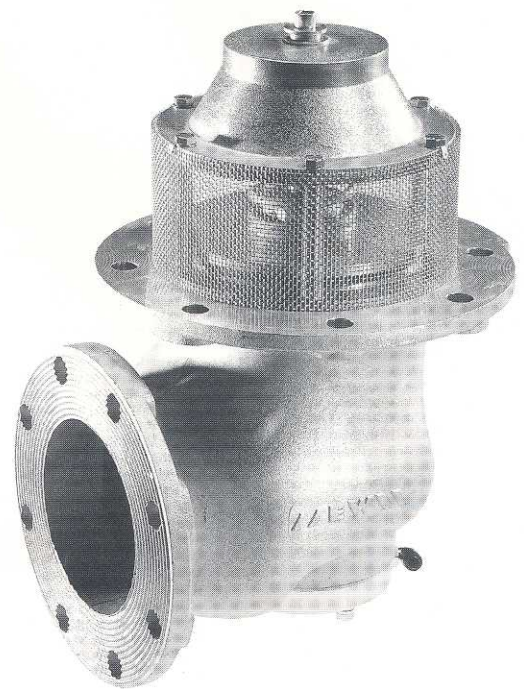


# 4" Pneumatic Emergency Valve

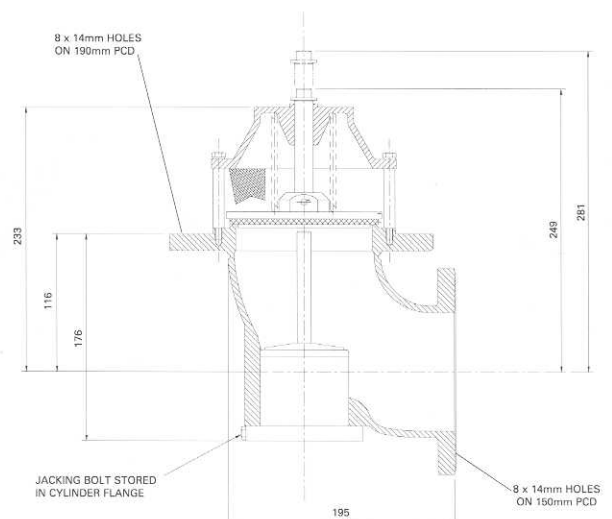
## FEATURES AND BENEFITS

Low pressure drop combined with a compact body, sequenced operation, durability and stringent quality control have helped to make this valve the international standard for oil companies and transporters of petroleum products.

- **High flow** low pressure drop design assists discharge and loading rates.
- **Compact** body reduces fitting space required.
- **Sequenced** air cylinder provides for positive open/closed indication.
- **High quality** die cast body and component materials to international standards are used for durability and performance.
- **Lightweight** aluminium construction for increased payloads.
- **Viton seals** are standard for compatibility with high octane fuels and additives.
- **External shear groove** meets TTMA and NTTC DOT 406 to reduce product spillage in the event of an accident.
- **Closure** by self centring plunger and durable compression spring.
- **Easy servicing** allows the air cylinder to be replaced without removing the valve from the tank pipework.
- **Parts common** to other valves in our range to minimise spares inventory.
- **Manual opening** device for emergency discharge of cargo.
- **Strainer** fitted as standard to prevent seal damage.



## OVERALL DIMENSIONS



## VARIANTS

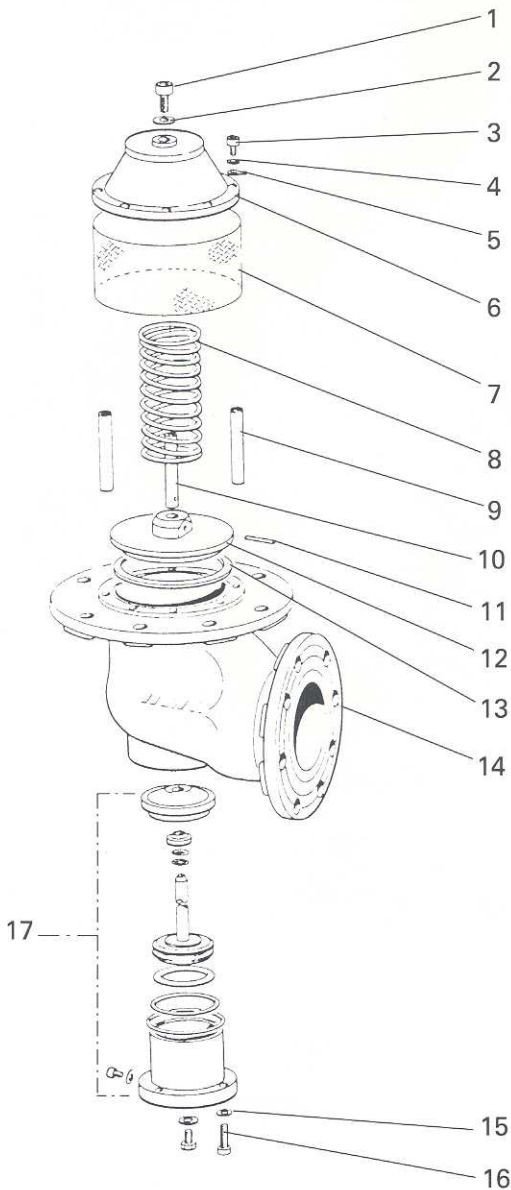
PART NO.	DESCRIPTION	WEIGHT
F0020-040	Non Pressure Balanced (4mm)	5.9 Kg
F0020-042	Non Pressure Balanced (6mm)	5.9 Kg

Alternative seal and pressure balanced variants available on request.

# F0020

## 4" Pneumatic Emergency Valve

### DESCRIPTION AND PART NUMBERS



REF	DESCRIPTION	PART NO. F0020-040	PART NO. F0020-042	QTY
1	Bolt	0223241	0223241	1
2	Washer	2649840	2649840	1
3	Bolt M6 x 80lg	615995	615995	6
4	Washer M6 Shakeproof	616399	616399	6
5	Washer Tab	616400	616400	3
6	Cap	615994	615994	1
7	Screen	616634	616634	1
8	Spring	615996	615996	1
9	Bissell Pin 10 x 60lg	616401	616401	6
10	Shaft	615991	615991	1
11	Spirol Pin 5 x 35lg	615997	615997	1
12	Poppet	615988	615988	1
13	Seal	615992	615992	1
14	Body	615862	615862	1
15	Washer Spring	415028	415028	3
16	Screw Socket Hd Cap	415413	415413	3
17	Cylinder Assembly	615998	615998	1
18	Elbow 4mm x 1/8"BSPP	603026	-----	1
19	Elbow 6mm x 1/8"BSPP	-----	618702	2
20	Gasket Inlet (CAF)	428666	428666	1
21	Gasket Outlet (CAF)	428665	428665	1
22	Quick Exhaust Valve	602177	618007	1

Items 18 to 22 not illustrated

Item 22 optional

Cylinder Seal Kit                      611332                      611332

Catalogue ref: CF0020040-R0

As part of a continuous commitment to product development the Company reserve the right to alter the specification of its products without prior notice.



**EMCO WHEATON**  
UK Ltd

Enterprise Road, Westwood Ind. Estate,  
Margate, CT9 4JR, UK  
Tel: +44(0)1843 221521 Fax: +44(0)1843 295444