

Product Drop Elbow Co-Axial for Product And Vapor

FEATURES AND BENEFITS

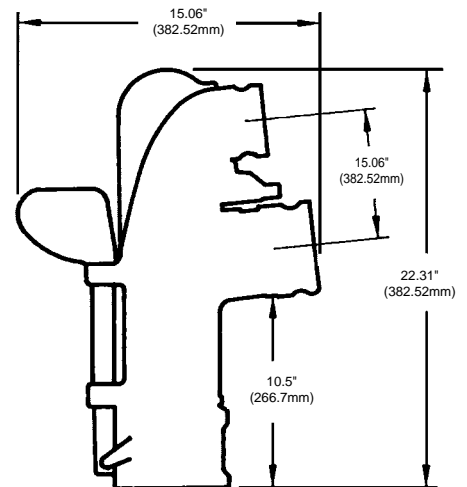
- **Lightweight** aluminum.
- **Excellent** flow rate.
- **Sight glass** in product port allows inspection of product flow.
- **Sight glass protected** by aluminum body. Prevents damage when stored in tool box.
- **Can be subjected to pump off pressure** (versus gravity unloading) to 25psi.
- **Product connection** (3" or 4" cam & groove) is located below vapor connection (3" cam & groove) reduces stress on adapter, piping and connection to tank.
- **No vapor emission or product leak.** Special seal assures tight connection.
- **Quick and easy** to rebuild.
- **Option: Interlock available** to assure vapor connection prior to product connection.
- **Most parts interchangeable** with F523 and F77.



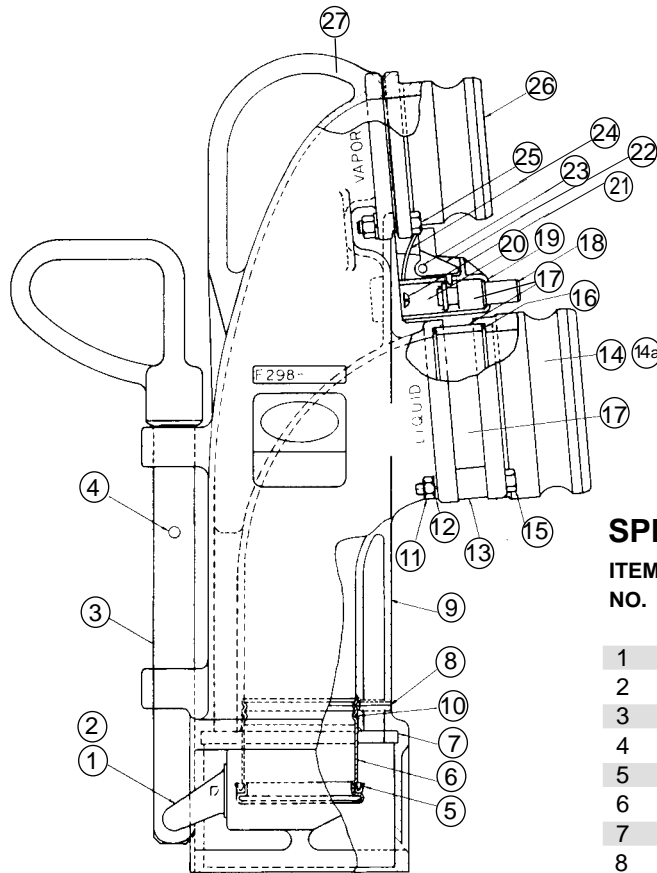
DROP ELBOW

VARIANTS

PART NO.	DESCRIPTION	WEIGHT
F298-004	4" x 3" with Interlock	18.25 lbs.
F298-006	4" x 3" less Interlock	17.75 lbs.
F298-007	4" x 3" less Interlock, with 4" FNPT Product Connection.	17.75 lbs.
F298-008	3" x 3" with Interlock, Buna	17.25 lbs.
F298-009	3" x 3" less Interlock, Buna	16.75 lbs.




Product Drop Elbow Co-Axial for Product And Vapor



SPECIFICATIONS

ITEM NO.	DESCRIPTION	QTY.		MATERIAL
1	Cam, right hand	1	408615	Bronze Plated
2	Cam, left hand	1	408617	Bronze Plated
3	Handle	1	562246	Aluminum
4	Roll Pin	1	470078	Steel
5	Seal	1	561566	Buna
6	Coupler Tube	1	561641	Aluminum
7	Gasket	1	408604	Buna
8	Screw, 1/4"-20 x .75	1	562236	Steel
9	Body	1	561640	Aluminum
10	O-ring	1	561868	Buna
11	Hex Nut, 5/16"-18	8	403150	Steel/Cad
12	Lockwasher, 5/16"	8	470034	Steel/Cad
13	Spacer	4	561567	Aluminum
14	4" Male NPT Adapter	1	561558	Aluminum
14a	4" Female NPT Adapter	1	564218	Aluminum
15	Screw, 5/16"-18 x 2 1/4"	4	447380	Steel
16	Tetraseal	2	561814	Buna
17	Sight Glass	1	561568	Acrylic
18	Interlock Piston	1	561556	Nylon
19	Interlock Body	1	561555	Nylon
20	Spring	1	409325	Steel
21	Screw, 1/4"-20 x .5"	3	447459	Stainless Steel
22	Interlock Latch	1	561570	Aluminum
23	Pin	1	404840	Steel
24	Spring	1	409340	Stainless Steel
25	Screw, 5/16"-18 x 1 1/4"	4	452345	Steel/Cad
26	3" Vapor Adapter	1	409312	Aluminum
27	Vapor Gasket	1	562239	-
O	Sight Glass Kit	1	562249	-
O	Coupling Tube Kit	1	562250	-

 printed on recycled paper