

4" API Adapter, Non-Openable

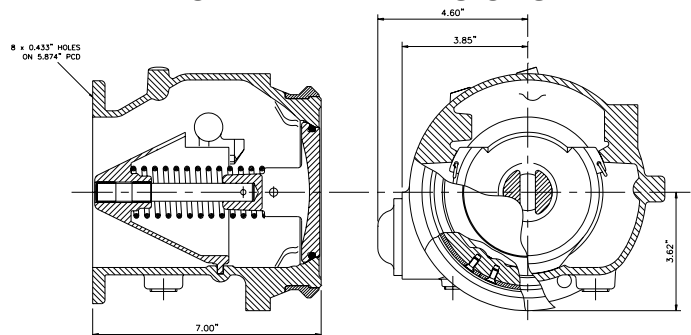
FEATURES AND BENEFITS

API adapter with a one-piece body, hard anodized replaceable nose ring and flat bottom.

- **All running surfaces are bushed** for smooth operation and extended life.
- **Hard anodized** replaceable nose ring
- **Flat bottom** of valve body ensures complete product drainage and minimizes contamination.
- **Conforms to API RP1004** for total compatibility with API couplers.
- **Lightweight die cast aluminum** construction for increased payloads with strength.
- **Viton® seals** are standard for compatibility with high-octane fuels and additives.
- **Hydrodynamic design** minimizes pressure drop for high flow rates.
- **Stainless steel** internal components.
- **Top mounting** for hose interlock.
- **Mounting flange** meets 4" TTMA specification.



OVERALL DIMENSIONS



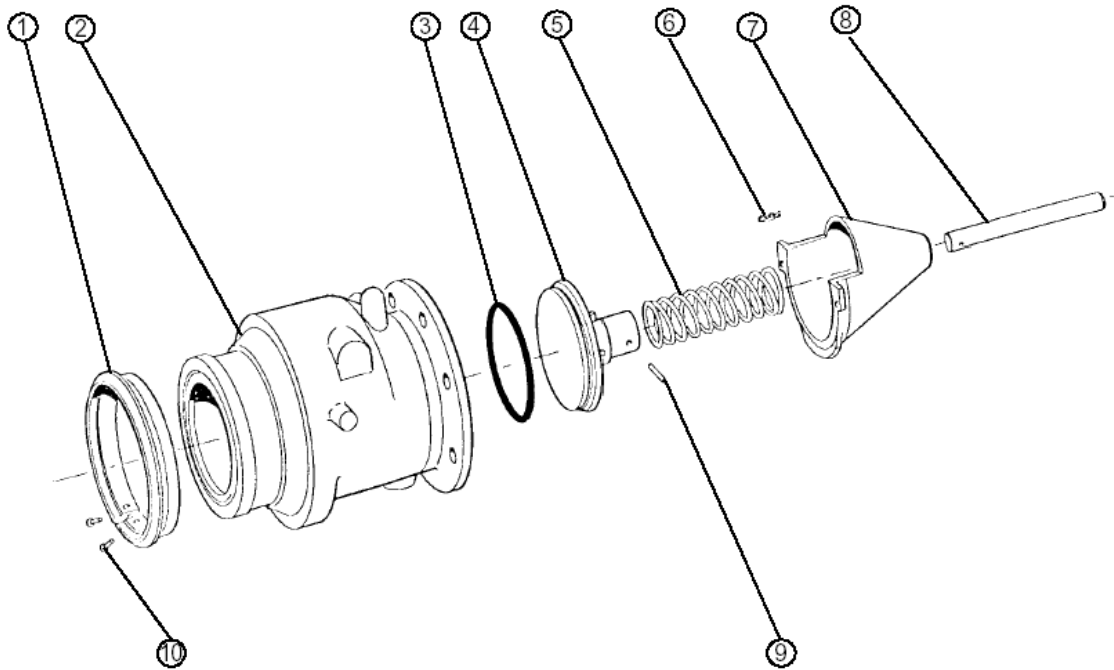
VARIANTS

PART NO.	DESCRIPTION	WEIGHT
F5000-001	4" Adapter, Viton®	7.8 lbs
F5000-041	4" Adapter, Viton® Dryline Ready with Sightglass	7.9 lbs
F5000-002	4" Adapter, PTFE	7.8 lbs

F5000

4" API Adapter, Non-Openable

DESCRIPTION AND PART NUMBERS



REF	DESCRIPTION	PART NO. F5000-001 VITON	PART NO. F5000-002 PTFE	QTY
1	Nose Ring	619323	619323	1
2	Body	619351	619351	1
3	O-Ring	850027	619410	1
4	Poppet	619348	619348	1
5	Spring	619454	619454	1
6	Hair Pin Clip	560489	560489	2
7	Cone	619308	619308	1
8	Stem	619309	619309	1
9	Roll Pin	619311	619311	1
10	Screw M5 C'sk	619370	619370	2

REPAIR KITS

Nose Ring Kit	619506
Spares Kit	619504
Inlet Gasket	603672
Handle Kit	619636
Sight Glass Kit	619499
Poppet Seal Kit	619927

As a part of a continuous commitment to product development the company reserves the right to alter the specification of its products without prior notice



**INNOVATIVE SYSTEMS
FOR TRANSPORT**

Syltone Industries, LLC
2501 Constant Comment Place
Louisville, KY 40299
www.emcowheaton.com

Tel: 800-285-3626
Tel: 502-266-6677
Intl Tel: 502-266-8767
Fax: 502-266-5873