

4" API Adapter, Openable

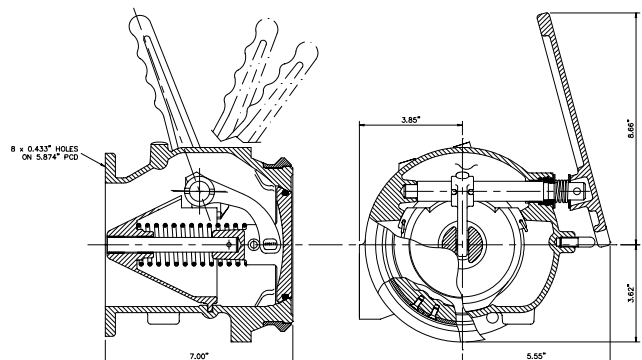
FEATURES AND BENEFITS

API adapter with a one-piece body, hard anodized replaceable nose ring and flat bottom.

- **All running surfaces are bushed** for smooth operation and extended life.
- **Hard anodized** replaceable nose ring
- **Flat bottom** of valve body ensures complete product drainage and minimizes contamination.
- **Two Stage** fixed aluminum lever gives positive indication of valve position
- **Conforms to API RP1004** for total compatibility with API couplers.
- **Lightweight die cast aluminum** construction for increased payloads with strength.
- **Viton® seals** are standard for compatibility with high-octane fuels and additives.
- **Hydrodynamic design** minimizes pressure drop for high flow rates.
- **Stainless steel** internal components.
- **Top mounting** for hose interlock.
- **Mounting flange** meets 4" TTMA specification.



OVERALL DIMENSIONS



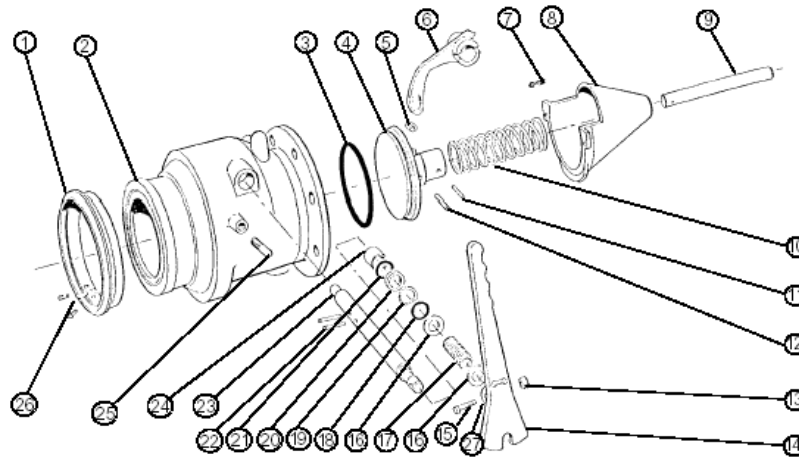
VARIANTS

| PART NO. | DESCRIPTION | WEIGHT |
|-----------|--------------------|---------|
| F5001-001 | 4" Adapter, Viton® | 9.7 lbs |
| F5001-002 | 4" Adapter, PTFE | 9.7 lbs |

F5001

4" API Adapter, Openable

DESCRIPTION AND PART NUMBERS



| REF | DESCRIPTION | PART NO. F5001-001 VITON | PART NO. F5001-002 PTFE | QTY |
|-----|--------------------|--------------------------------|-------------------------------|-----|
| 1 | Nose Ring | 619323 | 619323 | 1 |
| 2 | Body | 619350 | 619350 | 1 |
| 3 | O-Ring | 850027 | 619410 | 1 |
| 4 | Poppet | 619348 | 619348 | 1 |
| 5 | Bearing Roller | 409436 | 409436 | 1 |
| 6 | Cam | 619312 | 619312 | 1 |
| 7 | Hair Pin Clip | 560489 | 560489 | 2 |
| 8 | Deflector Cone | 619308 | 619308 | 1 |
| 9 | Stem | 619309 | 619309 | 1 |
| 10 | Compression Spring | 619454 | 619454 | 1 |
| 11 | Roll Pin | 619311 | 619311 | 1 |
| 12 | Bearing Pin | 563161 | 563161 | 1 |
| 13 | Nut | 564277 | 564277 | 1 |
| 14 | Lever | 619314 | 619314 | 1 |
| 15 | Screw | 564278 | 564278 | 1 |
| 16 | Washer Nylon | 564275 | 564275 | 2 |
| 17 | Spring | 564273 | 564273 | 1 |
| 18 | O-Ring | 561320 | 561320 | 1 |
| 19 | Retaining Ring | 408169 | 408169 | 1 |
| 20 | Spacer | 408167 | 408167 | 1 |
| 21 | O-Ring | 407433 | 577191 | 1 |
| 22 | Roll Pin | 561852 | 561852 | 2 |
| 23 | Shaft | 619316 | 619316 | 1 |
| 24 | Bearing | 409443 | 409443 | 1 |
| 25 | Stud | 619313 | 619313 | 1 |
| 26 | Screw M5 C'sk | 619370 | 619370 | 2 |

REPAIR KITS

| | | | |
|-----------------|--------|--------------|--------|
| Nose Ring Kit | 619506 | Inlet Gasket | 603672 |
| Handle Kit | 619636 | Lever Kit | 619636 |
| Sight Glass Kit | 619499 | Spares Kit | 619504 |
| Poppet Seal Kit | 619927 | | |

As a part of a continuous commitment to product development the company reserves the right to alter the specification of its products without prior notice



**INNOVATIVE SYSTEMS
FOR TRANSPORT**

Syltone Industries, LLC
2501 Constant Comment Place
Louisville, KY 40299
www.emcowheaton.com

Tel: 800-285-3626
Tel: 502-266-6677
Intl Tel: 502-266-8767
Fax: 502-266-5873