

4" API Adapter, Openable with Sightglass

FEATURES AND BENEFITS

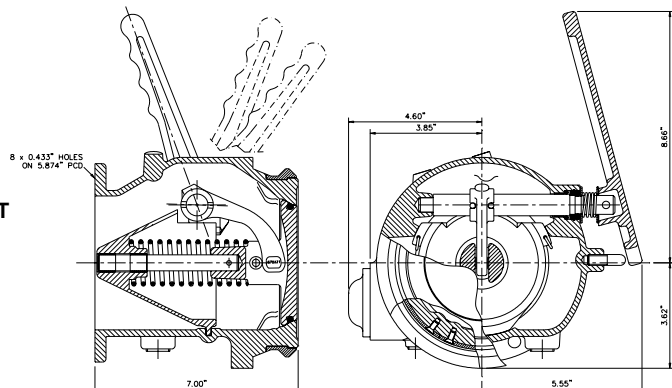
API adapter with a one-piece body, hard anodized replaceable nose ring and flat bottom.

- **All running surfaces are bushed** for smooth operation and extended life.
- **Hard anodized** replaceable nose ring.
- **Dryline Ready** for proposed future legislation.
- **Flat bottom** of valve body ensures complete product drainage and minimizes contamination.
- **Two Stage** fixed aluminum lever gives positive indication of valve position
- **Conforms to API RP1004** for total compatibility with API couplers.
- **Lightweight die cast aluminum** construction for increased payloads with strength.
- **Viton® seals** are standard for compatibility with high-octane fuels and additives.
- **Hydrodynamic design** minimizes pressure drop for high flow rates.
- **Stainless steel** internal components.
- **Top mounting** for hose interlock.
- **Mounting flange** meets 4" TTMA specification.



Dryline Ready

OVERALL DIMENSIONS



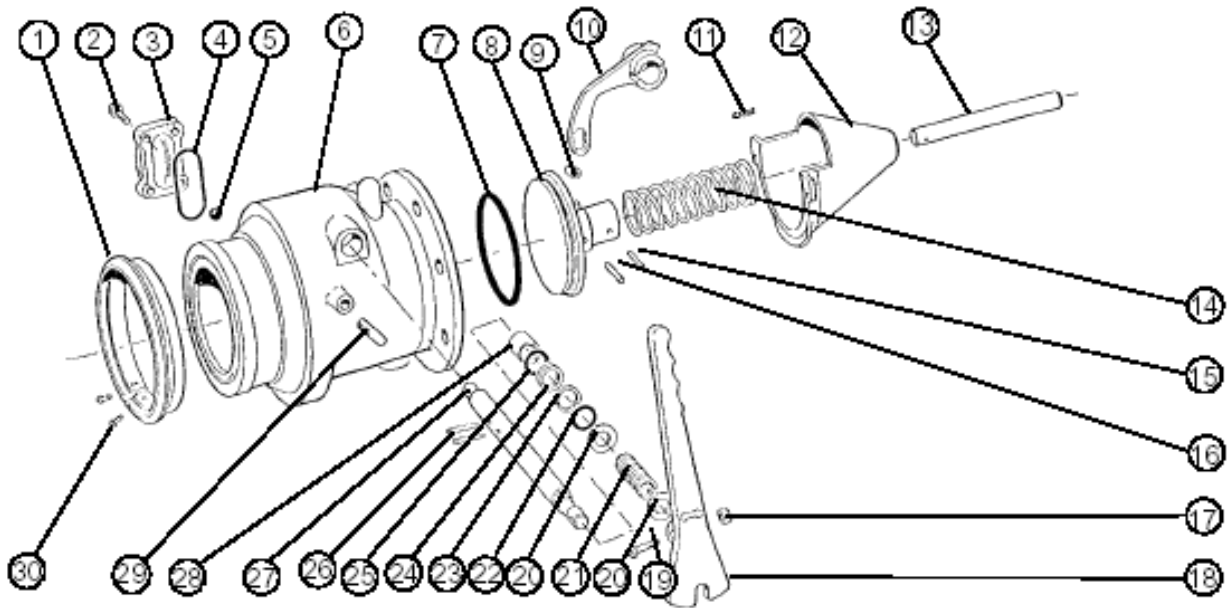
VARIANTS

PART NO.	DESCRIPTION	WEIGHT
F5002-041	4" Adapter, Viton®	9.8 lbs
F5002-042	4" Adapter, PTFE	9.8 lbs

F5002

4" API Adapter, Openable with Sightglass

DESCRIPTION AND PART NUMBERS



REF	DESCRIPTION	PART NO. F5001-001 VITON	PART NO. F5001-002 PTFE	QTY	REF	DESCRIPTION	PART NO. F5001-001 VITON	PART NO. F5001-002 PTFE	QTY
1	Nose Ring	619323	619323	1	16	Bearing Pin	563161	563161	1
2	Screw	602747	602747	4	17	Nut	564277	564277	1
3	Sight Glass	618148	618148	1	18	Lever	619314	619314	1
4	O-Ring	577105	577253	1	19	Screw	564278	564278	1
5	Hollow Ball	603602	603602	1	20	Washer Nylon	564275	564275	2
6	Body	619349	619349	1	21	Spring	564273	564273	1
7	O-Ring	850027	619410	1	22	O-Ring	561320	561320	1
8	Poppet	619327	619327	1	23	Retaining Ring	408169	408169	1
9	Bearing Roller	409436	409436	1	24	Spacer	408167	408167	1
10	Cam	619328	619328	1	25	O-Ring	407433	577191	1
11	Hair Pin Clip	560489	560489	2	26	Roll Pin	561852	561852	2
12	Deflector Cone	619308	619308	1	27	Shaft	619316	619316	1
13	Stem	619309	619309	1	28	Bearing	409443	409443	1
14	Spring	619454	619454	1	29	Stud	619313	619313	1
15	Roll Pin	619311	619311	1	30	Screw M5 C'sk	619370	619370	2
					N/S	Washer M6	616399	616399	4

REPAIR KITS

Nose Ring Kit	619506	Inlet Gasket	603672
Handle Kit	619636	Lever Kit	619636
Sight Glass Kit	619499	Spares Kit	619504
Poppet Seal Kit	619927	PTFE Sight Glass Kit	619633

As a part of a continuous commitment to product development the company reserves the right to alter the specification of its products without prior notice



**INNOVATIVE SYSTEMS
FOR TRANSPORT**

Syltone Industries, LLC
2501 Constant Comment Place
Louisville, KY 40299
www.emcowheaton.com

Tel: 800-285-3626
Tel: 502-266-6677
Intl Tel: 502-266-8767
Fax: 502-266-5873