

API Gravity Drop Adapter

FEATURES AND BENEFITS

API Hose Coupler specifically designed for use with API adapters when discharging product. Suitable for all API valves manufactured to API RP1004.

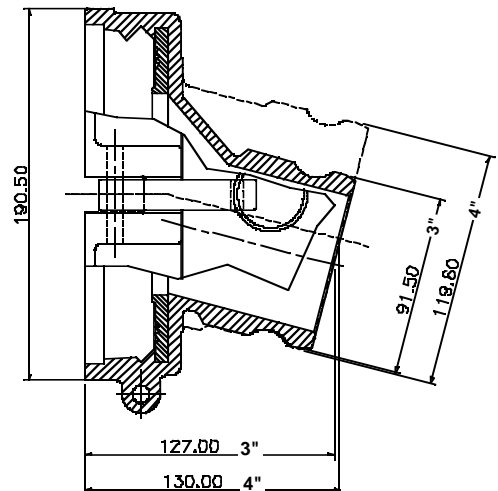
- **High quality light weight** die cast body.
- **Brass cams reduce wear** on API nose and eliminate corrosion.
- **Internal shoulder** to grip adapter nose and support weight of product hose.
- **Stainless steel chain** supplied as standard for attachment to API adapter.
- Buna seal fitted as standard.
- **3" and 4"** cam & groove variants available.
- **Suitable for all** API RP1004 adapters.
- **19"** chain-stainless steel.



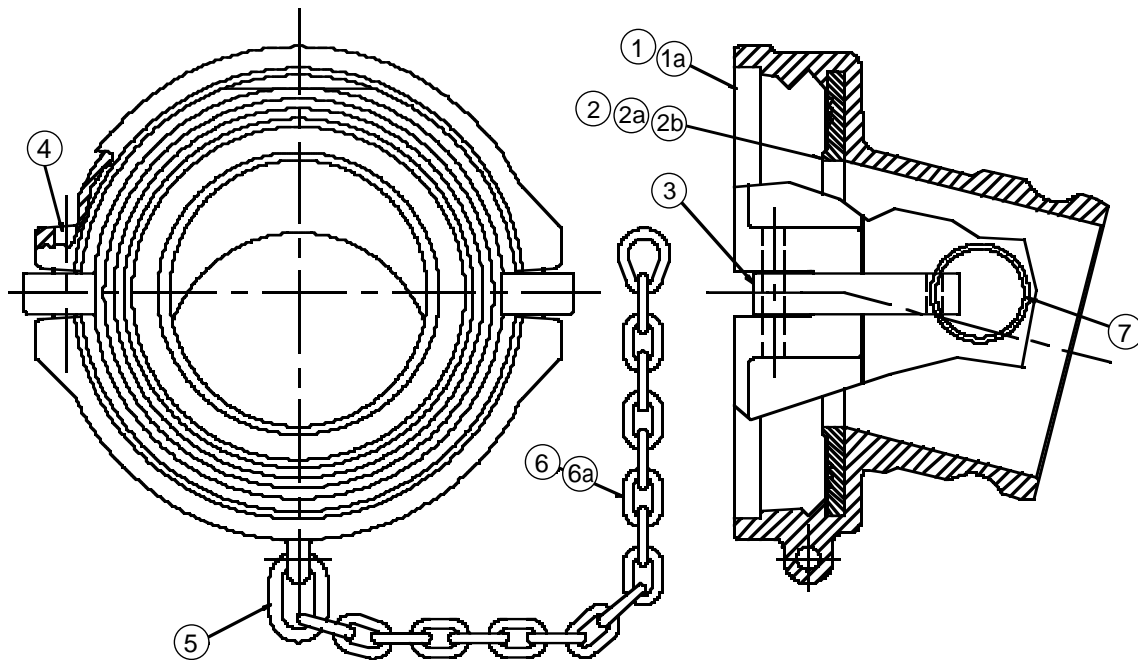
API ADAPTER

VARIANTS

PART NO.	DESCRIPTION	SEAL	WEIGHT
F0459-006	4"x 3" Cam & Groove Outlet	Buna	4.0 lbs.
F0459-007	4"x 4" Cam & Groove Outlet	Buna	5.0 lbs.
F0459-010	4"x 3" Cam & Groove Outlet	EPDM	4.0 lbs.
F0459-011	4"x 4" Cam & Groove Outlet	EPDM	5.0 lbs.




API Gravity Drop Adapter



SPECIFICATIONS

ITEM NO.	DESCRIPTION	QTY.	
1	Hose End Fitting	1	561302 - 3"
1a	Hose End Fitting	1	561300 - 4"
2	Seal	1	560611 Buna
2a	Seal	1	561305 Viton®
2b	Seal EPDM	1	565158
3	Cam	2	408187
4	Pin	2	409660
5	Connecting Link	1	563504
6	Chain Assembly (stainless)	1	491544
6a	Chain Assembly (chrome)	1	491544
7	Ring	2	408188

 printed on recycled paper