

4" API Dust Cap

FEATURES AND BENEFITS

Durable, easy to use aluminum dust cap suitable for all API valves manufactured to API RP1004.

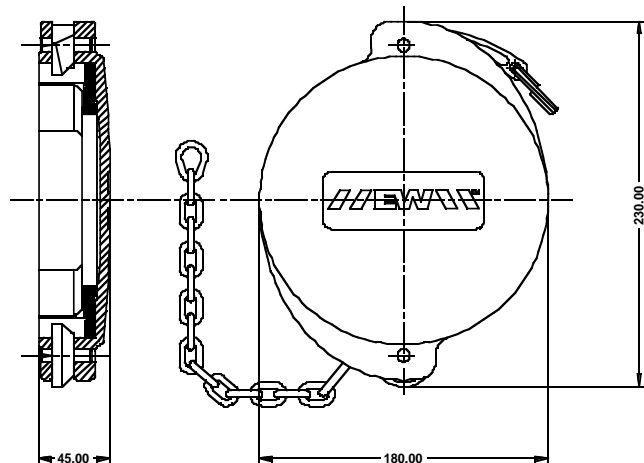
- **Suitable for** F5000, F5001, F5002 & F552 series API valves.
- **Protects** poppet face of API, prolongs life of seals.
- **High quality** die cast body and component materials to international standards are used for durability and performance.
- **Radial cam and lug design** for one hand operation.
- **Glass filled nylon cams** reduce wear and eliminate risk of corrosion.
- **Buna seal** fitted as standard.
- **Heavy duty stainless steel chain** supplied as standard for attachment to API adapter.
- **19" chain as standard.**



API ADAPTER

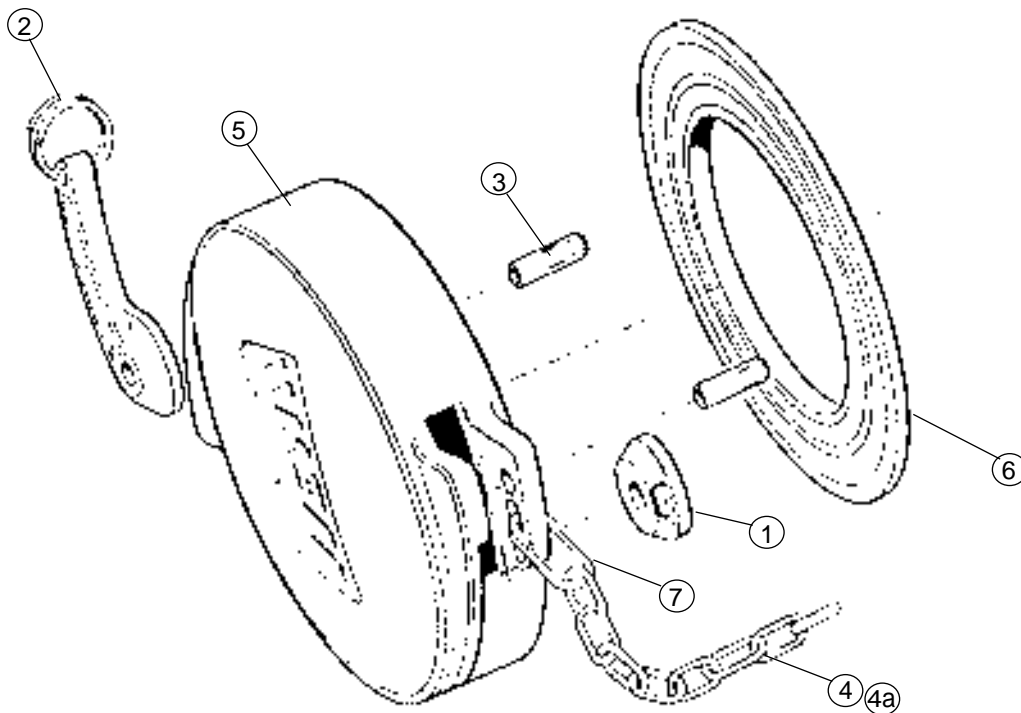
VARIANTS

PART NO.	DESCRIPTION	WEIGHT
F499-121	Buna, with Chain	2.0 lbs.



F499

4" API Dust Cap



SPECIFICATIONS

ITEM NO.	DESCRIPTION	QTY.	PART NO.	MATERIAL
1	Cam Lug	1	561474	Nylon
2	Cam Arm & Ring Assembly	1	492345	Nylon/sst
3	Pins	2	409793	Stainless Steel
4	Chain & Link Assembly	1	670311	Stainless Steel
4a	Optional Chromed Chain Assembly	1	491544	Steel/Chrome
5	Dust Cap Body	1	619646	Aluminum
6	Seal	1	619127	Buna
7	Open End Link	1	563504	Steel



printed on recycled paper

EMCO WHEATON™

LOADING AND UNLOADING THE WORLD

Syltone Industries, LLC
2501 Constant Comment Place
Louisville, KY 40299

Tel: 800-626-6334
Tel: 502-285-3626
Intl Tel: 502-266-8767
Fax: 502-266-5873
www.syltone.com