

The INVALCO Series 468 Valve is perfect for use as a fuel regulating valve for precise burner controls. Suitable applications include thermostat service, fuel shut-off, for oil, gas, glycol, and distillate service.

Features

- **Soft Plug** - Assures tight shutoff.
- **Adjustable Spring** - Meets various application demands.
- **Nace Adaptable** - Can be modified for use in sour service.

Specifications

Body Material

Ductile Iron A-395

Body Cover/Lower Diaphragm Case

Ductile Iron A-395

End Connections

3/4" or 1" FNPT

Diaphragm Operator

Upper diaphragm case cast aluminum.

Diaphragm: 10 sp. in. of nylon reinforced Buna-N diaphragm.

Maximum working pressure 70 psi.

Maximum containment pressure 100 psi.

Packing

Standard O-Ring, Buna-N



Series 468 Single Port Valve, Ductile Body

Maximum Working Pressure

150 psi

Temperature Limits

-20°F to 250°F

Stem Material

303 Stainless Steel

Ordering Information

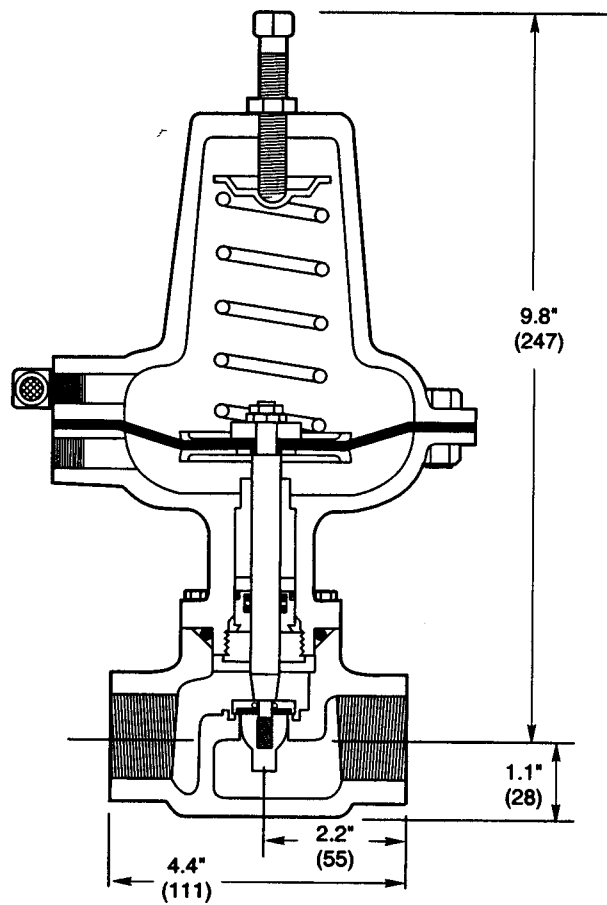
Size	Model Number	Max. W.P.	Trim	Full Open		Part Number	Weight
				Cv	Cg		
3/4"	DSG-7501B-468	150 psi	Stainless Steel Throttling Buna-N Insert 3/4" Orifice*	6	160	80004509	10
1"	DSG-101B-468	150 psi	Stainless Steel Throttling Buna-N Insert 1" Orifice*	12	350	80004303	10

General Notes:

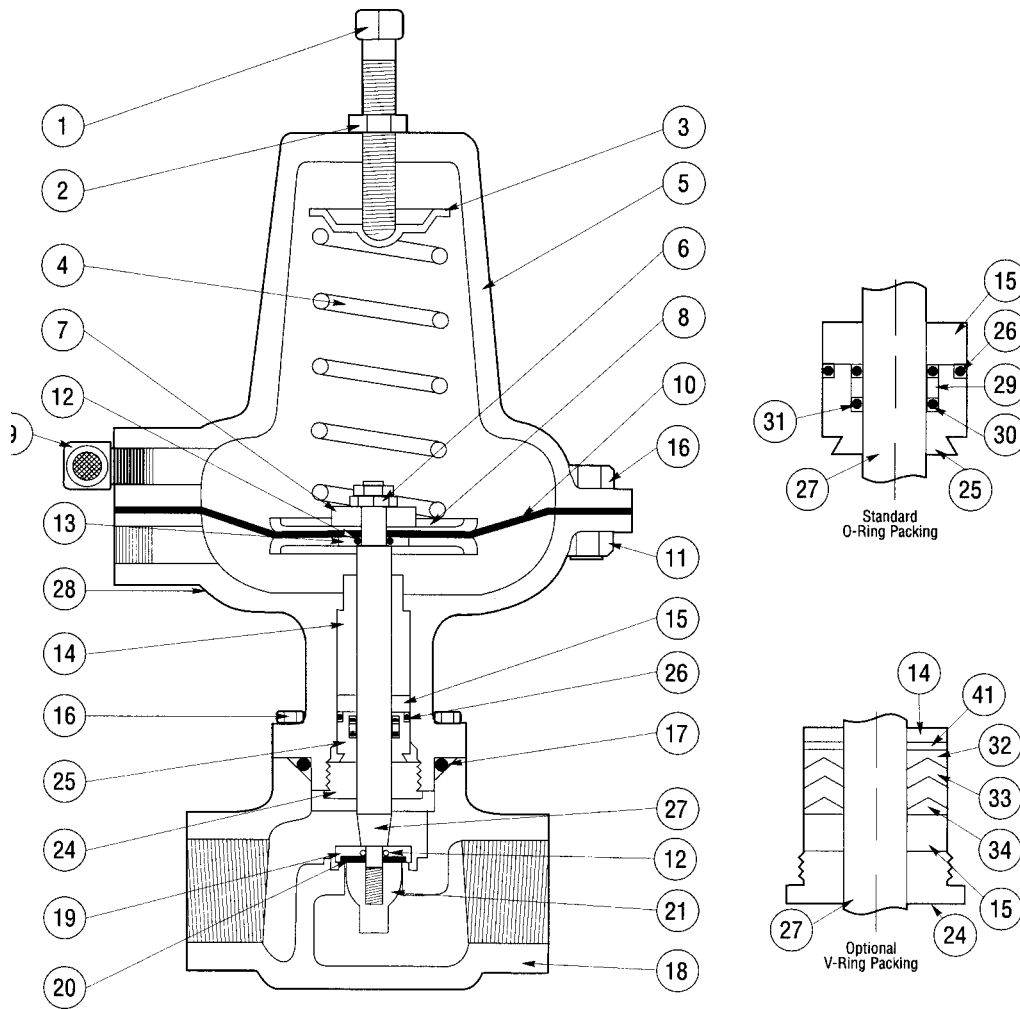
1. Cv and Cg values are for fully open inner valve.
3. Part numbers applicable only when valve desired is exactly as described above.
4. To order specify Model Number, Part Number, Trim Description.
5. See attached parts list.

Dimensions

Inches (mm)



Note: Dimensions -- Inches to the nearest tenth (millimeters to the nearest whole mm), each independently dimensioned from respective engineering drawings.



Item	Notes	Description	Qty.	Part No.
1		Screw 3/8-16x2-1/2 SQHSS	1	65003335
2		Nut 3/8-16 Hex Jam	1	65008477
3		Upper Spring Rest	1	45003556
4	*	Spring	1	45008532
5		Upper Diaphragm Case	1	45003286
6		Nut 1/4-28 Flexloc	1	65003530
7		Spring Guide	1	45005769
8		Diaphragm Plate	2	45003464
9		1/4" Bleeder Filter	1	45002612
10	*	Diaphragm	1	45004053
11		Nut 5/16-18 Hex	8	65002100
12	*	O-Ring BUN-010-90	2	67101327
13		Washer	2	45003186
14		Stem Guide	1	45005477
15		Packing Washer	1	45005478
16		Screw 5/16-18x7/8 HHCS	12	65004543
17	*	O-Ring BUN-226-90	1	67101534
18		Body DSG-7501B (3/4" Orifice)	1	45009798
		Body DSG-101B (1" Orifice)	1	45009796
19	*	Plug (3/4" Orifice)	1	45005417

Item	Notes	Description	Qty.	Part No.
		Plug (1" Orifice)	1	45005404
20	*	Seal (3/4" Orifice) Buna	1	45005418
		Seal (3/4" Orifice) Teflon	1	44512318
		Seal (1" Orifice) Buna	1	45005405
		Seal (1" Orifice) Teflon	1	45012345
21		Throttle Nose (3/4" Orifice)	1	45010175
		Throttle Nose (1" Orifice)	1	45010202
24		Packing Nut	1	45005476
25	+	Packing Bushing	1	45005479
26	*+	O-Ring BUN-115-90	1	67101531
27		Stem	1	45005768
28		Body Cover	1	45005480
29	+	Packing Spacer	1	45005481
30	+	O-Ring BUN-012-90	2	67102312
31	+	Backer Ring	2	79005484
Optional V-Ring Packing (Replacement Parts Only)				
32		Teflon V-Ring 3/8" x 7/8" (top)	1	79012434
33		Teflon V-Ring 3/8" x 7/8" (middle)	3	79012435
34		Teflon V-Ring 3/8" x 7/8" (bottom)	1	79012436
41		Washer	1	65004234

www.fmcinvalco.com

The specifications contained herein are subject to change without notice and any user of said specifications should verify from the manufacturer that the specifications are currently in effect. Otherwise, the manufacturer assumes no responsibility for the use of specifications which may have been changed and are no longer in effect.

FMC INVALCO Fluid Control P.O. Box 1377, Stephenville, TX 76401, Phone: 254/968-2181, FAX: 254/968-5709, Toll Free: 800/468-2526

Printed in U.S.A. © 2/01 FMC INVALCO All rights reserved. Issue/Rev. 0.4 (2/01)